

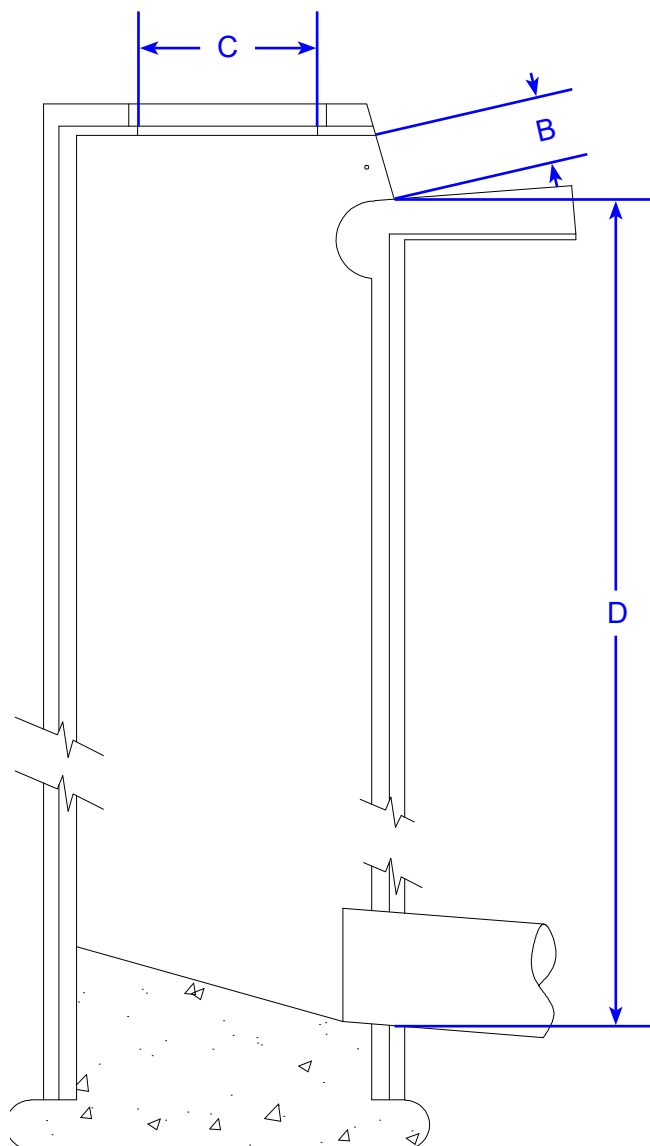
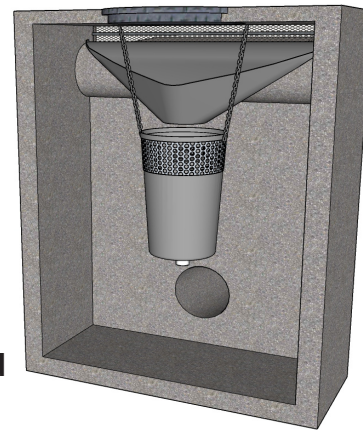
THE WATER DECONTAMINATOR

Sizing Guide - Side Inlet

Patented

www.wdfilters.com

The following information is required for proper installation of the Water Decontaminator catch basin insert. Please measure all required dimensions of grate and catch basin.



Company: _____

Name: _____

Phone: _____

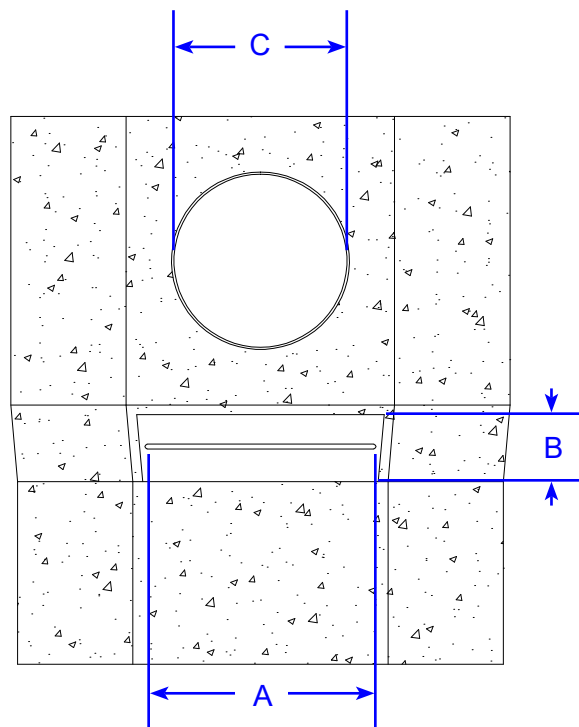
Email: _____

A: Width of curb inlet _____

B: Height of curb inlet _____

C: Inside width of cover _____

D: Depth of catch basin _____



Inventive Resources, Inc.

P.O. Box 1316 • 5038 Salida Blvd. Salida, CA 95368

Phone (888) 285-6158 • Fax (209) 545-3533 • email: info@wdfilters.com

Rev 040221