

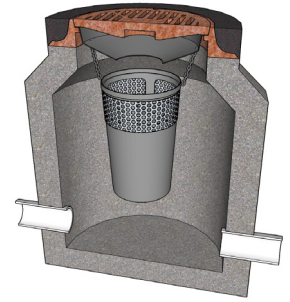
The WATER DECONTAMINATOR

Trash Capture Catch Basin Insert

Patented

www.wdfilters.com

The following information is required for proper installation of the Water Decontaminator Trash Capture Unit. Indicate whether grate style is 1, 2 or 3. Then measure all required dimensions of grate and catch basin.



Company: _____

Name: _____

Phone: _____

Email: _____

Cover Style (1, 2 or 3): _____

OD: Outside diameter of lip _____

(For tapered frames measure smallest diameter at base of frame.)

ID: Inside diameter of opening _____

A: Drop ring diameter _____

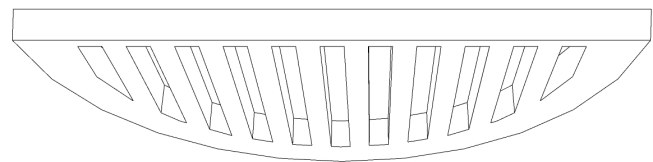
(Measure largest diameter at top of ring. Does not apply to style 1 covers)

B: Drop ring depth _____

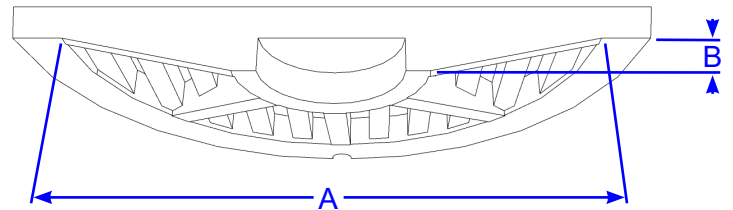
(Does not apply to style 1 covers)

C: Depth of catch basin _____

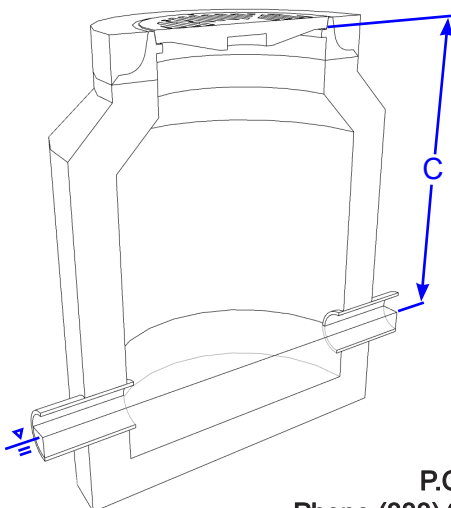
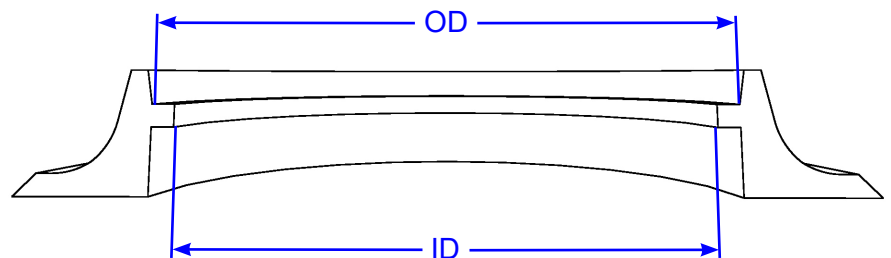
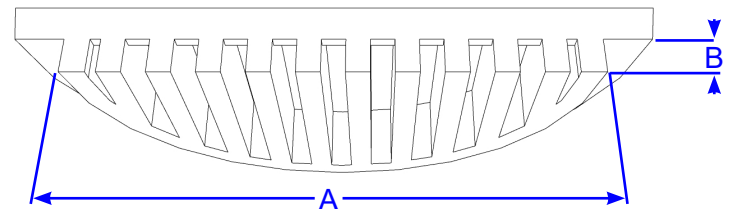
Type 1 Flat Grate



Type 2 Tapered Drop Ring



Type 3 Square Drop Ring



Inventive Resources, Inc.

P.O. Box 1316 • 5038 Salida Blvd. Salida, CA 95368

Phone (888) 285-6158 • Fax (209) 545-3533 • email: info@wdfilters.com

Rev 040221